



## Air release valve Mod. VENTOLO

The CSA single function, automatic air release valve Ventolo will ensure the proper operation of the system allowing the release of air pockets accumulated during working conditions.



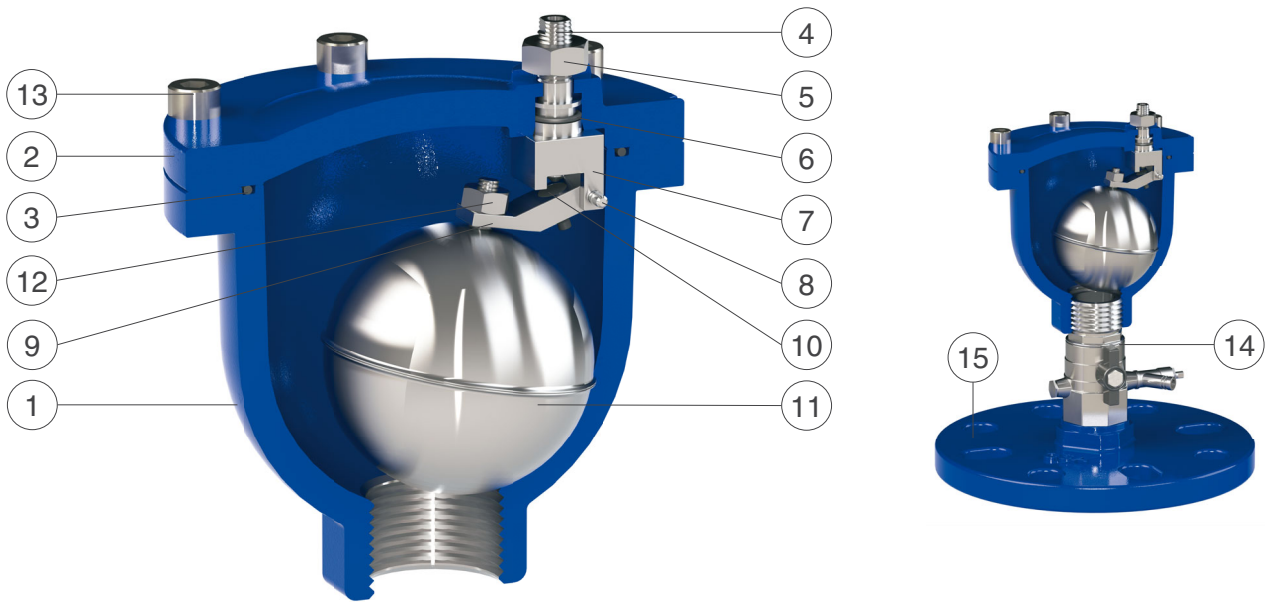
### Technical features and benefits

- Body and cover in ductile cast iron, PN 40 bar rated.
- Float in stainless steel AISI 304 or 316.
- Lever and pivots in AISI 303 or 316.
- Nozzle in stainless steel AISI 303 or 316.
- Compass lever technology to allow large air release capacity through the nozzle.
- Double O-ring to guarantee the perfect water tightness during working conditions.
- Gasket compression control thanks to the adjustable nozzle.
- Nuts and bolts in stainless steel AISI 304 or 316.
- Minimum working pressure 0,1 bar.

### Applications

- Water distribution systems, irrigation, buildings.
- Pumps, control valves and modulating devices.
- In general when the simple air release function is required, it can be combined with CSA kinetic air valves series for large air inflow and outflow requirements.

## Technical details



N.	Component	Standard material	Optional
1	Body	ductile cast iron GJS 500-7 or GJS 450-10	
2	Cap	ductile cast iron GJS 500-7 or GJS 450-10	
3	O-ring	NBR	EPDM/Viton/silicone
4	Nozzle	stainless steel AISI 303	stainless steel AISI 316
5	Nut	stainless steel AISI 304	stainless steel AISI 316
6	O-ring	NBR	EPDM/Viton/silicone
7	Upper lever	stainless steel AISI 303	stainless steel AISI 316
8	Pivot	stainless steel AISI 303	stainless steel AISI 316
9	Lower lever	stainless steel AISI 303	stainless steel AISI 316
10	Nozzle gasket	silicone	
11	Float	stainless steel AISI 304	stainless steel AISI 316
12	Nut	stainless steel AISI 304	stainless steel AISI 316
13	Screw	stainless steel AISI 304	stainless steel AISI 316
14	Ball valve (on request)	nickel-plated brass	stainless steel AISI 316
15	Flange (on request)	ductile cast iron GJS 500-7 or GJS 450-10	painted steel/AISI304/316

The list of materials and components is subject to changes without notice.

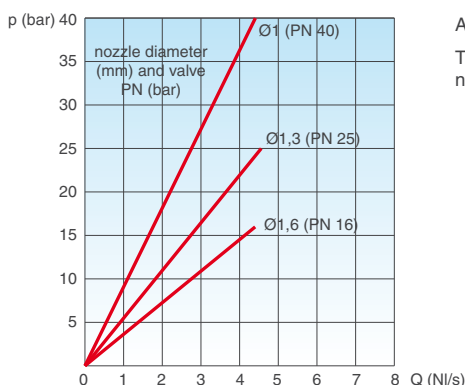
### Working conditions

Treated water max. 60°C.  
Higher temperature on request.  
Max. pressure 40 bar;  
Min. pressure 0,1 bar.

### Standard

Designed in compliance with EN-1074/4.  
Standard connection 1", flanged on request. Flanges according to EN 1092/2.  
Epoxy painting applied through fluidized bed technology blue RAL 5005.  
Changes and variations on the flanges and painting details available on request.

### Air flow performance chart



#### AIR RELEASE DURING WORKING CONDITIONS

The air flow charts were created in Kg/s from laboratory tests and numerical analysis, then converted in NI/s using a safety factor.

