



# Air release valve for high temperature Mod. VENTOLO ST

The CSA single function, automatic air release valve Ventolo will ensure the proper operation of the system allowing the release of air pockets accumulated during working conditions. Thanks to the nickel coating of the main components and special gaskets, it is suitable for high temperatures and pressures up to 40 bar.



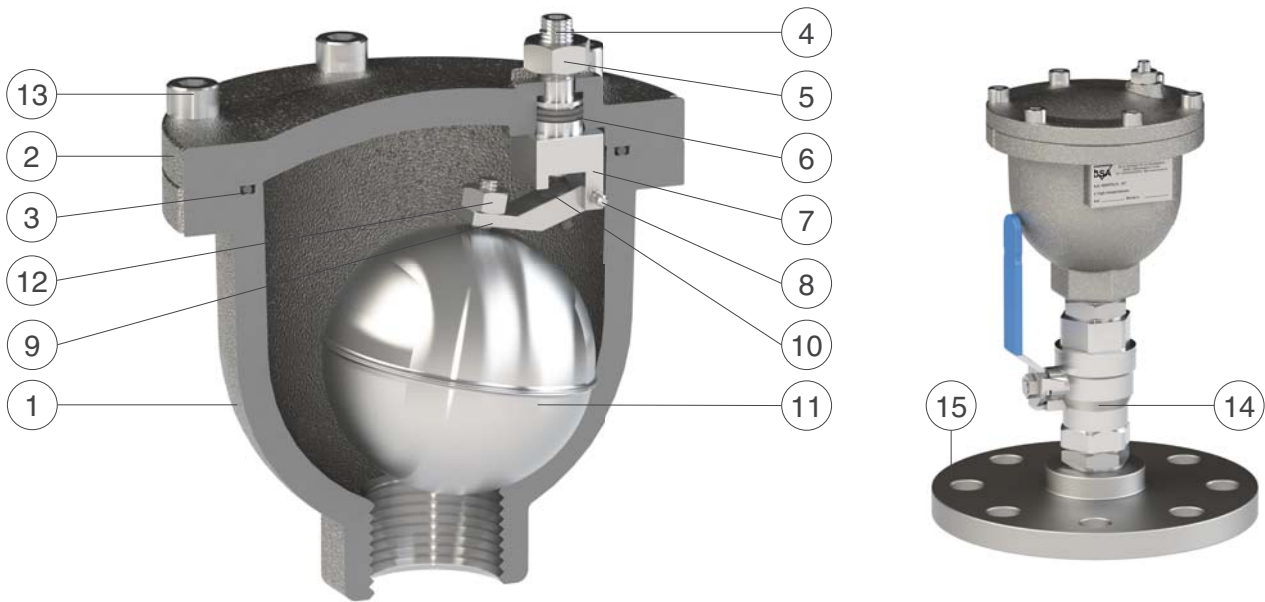
## Technical features and benefits

- Body and cover in nickel-plated ductile cast iron, PN 40 bar rated.
- Float in stainless steel AISI 304.
- Lever and pivots in AISI 303 or 316.
- Nozzle in stainless steel AISI 303 or 316.
- Compass lever technology to allow large air release capacity through the nozzle.
- Double O-ring to guarantee the perfect water tightness during working conditions.
- Gasket compression control thanks to the adjustable nozzle.
- Nuts and bolts in stainless steel AISI 304 or 316.
- Minimum working pressure 0,1 bar.

## Applications

- Industrial plants.
- Heating systems.
- Process plants.
- Buildings and civil installations in general.

## Technical details



| N. | Component                | Standard material                                   | Optional                 |
|----|--------------------------|---|--------------------------|
| 1  | Body                     | nickel-plated ductile cast iron GJS 450-10 or 500-7 |                          |
| 2  | Cap                      | nickel-plated ductile cast iron GJS 450-10 or 500-7 |                          |
| 3  | O-ring                   | Viton   |                          |
| 4  | Nozzle                   | stainless steel AISI 303                            | stainless steel AISI 316 |
| 5  | Nut                      | stainless steel AISI 304                            | stainless steel AISI 316 |
| 6  | O-ring                   | Viton   |                          |
| 7  | Upper lever              | stainless steel AISI 303                            | stainless steel AISI 316 |
| 8  | Pivot                    | stainless steel AISI 303                            | stainless steel AISI 316 |
| 9  | Lower lever              | stainless steel AISI 303                            | stainless steel AISI 316 |
| 10 | Nozzle gasket            | silicone  |                          |
| 11 | Float                    | stainless steel AISI 304                            | stainless steel AISI 316 |
| 12 | Nut                      | stainless steel AISI 304                            | stainless steel AISI 316 |
| 13 | Screw                    | stainless steel AISI 304                            | stainless steel AISI 316 |
| 14 | Ball valve with fittings | stainless steel AISI 304                            | stainless steel AISI 316 |
| 15 | Flange                   | nickel-plated steel                                 | AISI 304/AISI 316        |

The list of materials and components is subject to changes without notice.

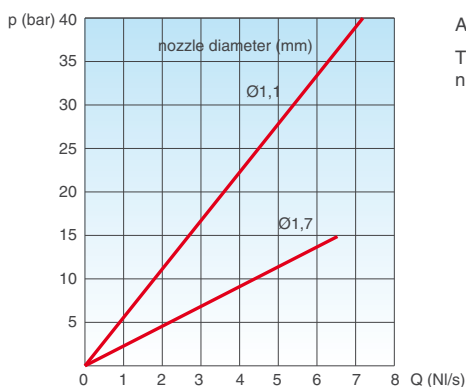
### Working conditions

Treated water max. 100°C.  
 Max. pressure 40 bar;  
 Min. pressure 0,1 bar.

### Standard

Certified and tested in compliance with EN 1074/4.  
 Standard connection 1", flanged on request. Flanges according to EN 1092/2.  
 Body and cap nickel-plated.  
 Changes and variations on the flanges and coating details available on request.

### Air flow performance chart



#### AIR RELEASE DURING WORKING CONDITIONS

The air flow charts were created in Kg/s from laboratory tests and numerical analysis, then converted in NI/s using a safety factor.

